

3 TYPES

High durable polyester



With EPDM sealing

With EPDM chimney

Plain

TRAPEZOIDAL SADDLE WASHERS

Steel

Z275

Thickness: 0,75mm

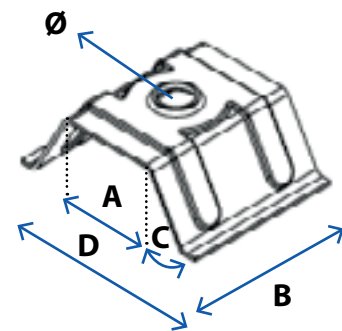
Coating: High durable polyester 35 microns

Aluminum

Alloy 3004 - 3105

Thickness: 0,90 - 1,00 mm

Coating: High durable polyester 25 microns



PROFILES

below profiles exist in all 3 types

Type	A	B	C	D	Ø	
24-30	23.5	40	30°	49	7 mm	8.5 mm
24-23	23.5	40	23°	45.2	7 mm	8.5 mm
29-25	29	40	25°	49.3	7 mm	8.5 mm
17-30	17	40	30°	45.5	7 mm	8.5 mm